

1200 x 900 2-Sided Moulded Wall Shower Enclosure - Chrome

LEV11840.02 - Right (pictured) | LEV11838.02 - Left

Features:

- Right or Left models available
- Sliding door on Stainless Steel runners
- Nano Shield Glass protection
- 6mm Glass Door & Return
- Patented Frame adjustment
- Commercially rated tray - 200kg
- 40mm Shower tray upstand
- Square waste included - with 3 color options included - Chrome, Black & White
- Door handle - 2 color options included - Chrome & Black
- Complete with Glue & Silicone

Specifications:

- 1200 x 900
- European Sanitary grade acrylic liner
- Overall Height 2015mm
- Safety Glass AS NZS 2208
- Tray Height 65mm

Color:

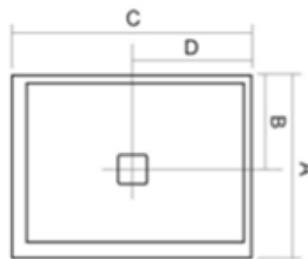
- Brushed Chrome Frame
- Clear Glass

Size:

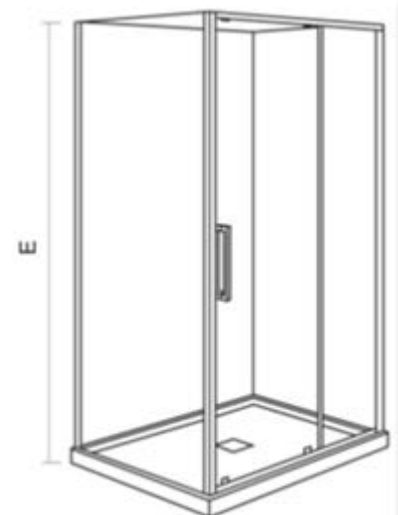
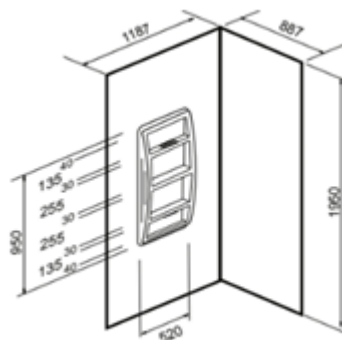
- 1200 X 900 X 2015MM

Warranty:

- 10 years



A: 900
B: 450
C: 1200
D: 600
E: 2015



ACCESSORIES, WASTES AND TAPWARE NOT INCLUDED UNLESS STATED. PLEASE NOTE MEASUREMENTS ARE NOMINAL ONLY. PLEASE MEASURE PRODUCT ON SITE